

FIG.1

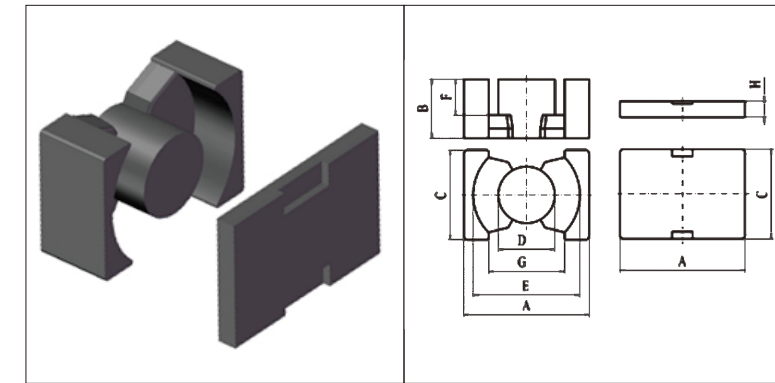


FIG.2

PQI 型 / PQI Core

型号 TYPE	图例 FIG.	尺寸 Dimensions (mm)							
		A	B	C	D	E	F	G	H
PQI16.4/7.8/11.2A	1	16.4±0.35	5.45±0.15	11.2±0.3	7±0.25	14min	3.1±0.15	9.6min	2.35±0.15
PQI20.5/13.1/14	1	20.5±0.4	10.1±0.1	14±0.4	8.8±0.2	18±0.4	7.15±0.15	12min	2.95±0.15
PQI20/12/14A	2	20.5±0.4	9.9±0.1	14±0.4	8.8±0.2	18±0.4	7.2±0.15	12min	2.1±0.2
PQI26.5/16.6/19A	1	26.5±0.45	12.5±0.25	19±0.45	12±0.2	22min	8.05±0.15	15.5min	4.1±0.2
PQI26.5/16.7/19	1	26.5±0.45	12.5+0/-0.25	19±0.45	12±0.2	22.5±0.45	8.05±0.15	15.5min	4.4±0.2
PQI26/15	2	26.5±0.45	12.5+0/-0.25	19±0.45	12±0.2	22.5±0.45	8.05±0.15	15.5min	2.8±0.2
PQI26.5/24.4/19	1	26.5±0.5	20.2±0.25	19±0.4	12±0.2	22.5±0.45	16±0.25	3.5±0.1	4.2±0.2
PQI32/18.5/22	1	32±0.5	14±0.15	22±0.5	13.4±0.3	27.5±0.5	9.5±0.15	19min	4.5±0.2
PQI32/20.4/22	1	32±0.5	15.3±0.2	22±0.5	13.45±0.3	27.5±0.5	10.7±0.2	19min	5.1±0.2
PQI35.1/20/26	1	35.1±0.6	15±0.15	26±0.5	14.35±0.25	32±0.5	10.125±0.15	23.5min	5.0±0.2
PQI35.1/27/26	1	35.1±0.6	22±0.2	26.0±0.5	14.35±0.25	32±0.5	17±0.2	23.5min	5.0±0.2
PQI38/26/20	1	38.5+0/-1	21.1±0.15	20±0.5	14.35±0.25	32±0.5	16.2±0.15	27±0.5	4.9±0.2
PQI40.5/21/27.9	1	40+1.4/-0.4	16±0.2	28+0.45/-0.6	15+0/-0.6	36.4min	11±0.2	27.2min	5.0±0.2
PQI40/20	1	40.0+1.4/-0.4	15.13±0.12	28.0+0.45/-0.6	15.0+0/-0.6	36.4min	9.98±0.15	27.2min	5.0±0.2
PQI50/28B	1	50.0±0.7	20.8±0.2	32.0±0.6	20.0±0.35	44.0±0.7	13.65±0.2	32.0min	6.8±0.2

PQI 型 / PQI Core

型号 TYPE	图例 FIG.	参数 Parameters				AL(Ref)*		重量(Ref) g /PRS
		C1	Ae	Le	Ve	TP4A	TPW33	
PQI16.4/7.8/11.2A	1	0.51	38.6	19.75	762.4	3000	3800	4.3
PQI20.5/13.1/14	1	0.51	60.94	31.24	1903.50	3700	4500	11.50
PQI20/12/14A	2	0.53	56.59	30.25	1712.00	3050	3700	10.20
PQI26.5/16.6/19A	1	0.32	119.19	37.92	4519.10	6200	7600	26.34
PQI26.5/16.7/19	1	0.32	119.81	38.02	4555.20	6200	7600	25.50
PQI26/15	2	0.45	120.14	38.08	4574.90	5800	7200	24.60
PQI26.5/24.4/19	1	0.44	121.00	52.65	6370.50	4910	6190	35.13
PQI32/18.5/22	1	0.30	162.77	49.54	8062.80	6300	7900	39.40
PQI32/20.4/22	1	0.31	167.95	52.79	8866.10	6100	7700	44.80
PQI35.1/20/26	1	0.30	183.51	55.50	10185.20	6700	8500	47.00
PQI35.1/27/26	1	0.38	184.21	70.72	13027.00	5500	7100	61.92
PQI38/26/20	1	0.41	175.68	71.41	12544.40	5340	6850	54.78
PQI40.5/21/27.9	1	0.32	196.45	62.78	12333.50	6400	8100	60.80
PQI40/20	1	0.42	198.53	82.68	16414.50	5100	6600	88.60
PQI50/28B	1	0.22	318.00	70.00	22248.00	10900	13500	134.50

*-Al为磁心对应参考值,具体规格以双方签订承诺书为准; AL测试条件:1kHz 0.3V 10Ts; AL单位:nH/N2

*-图例仅展示产品形状,具体细节以实物或以双方签订承诺书为准。